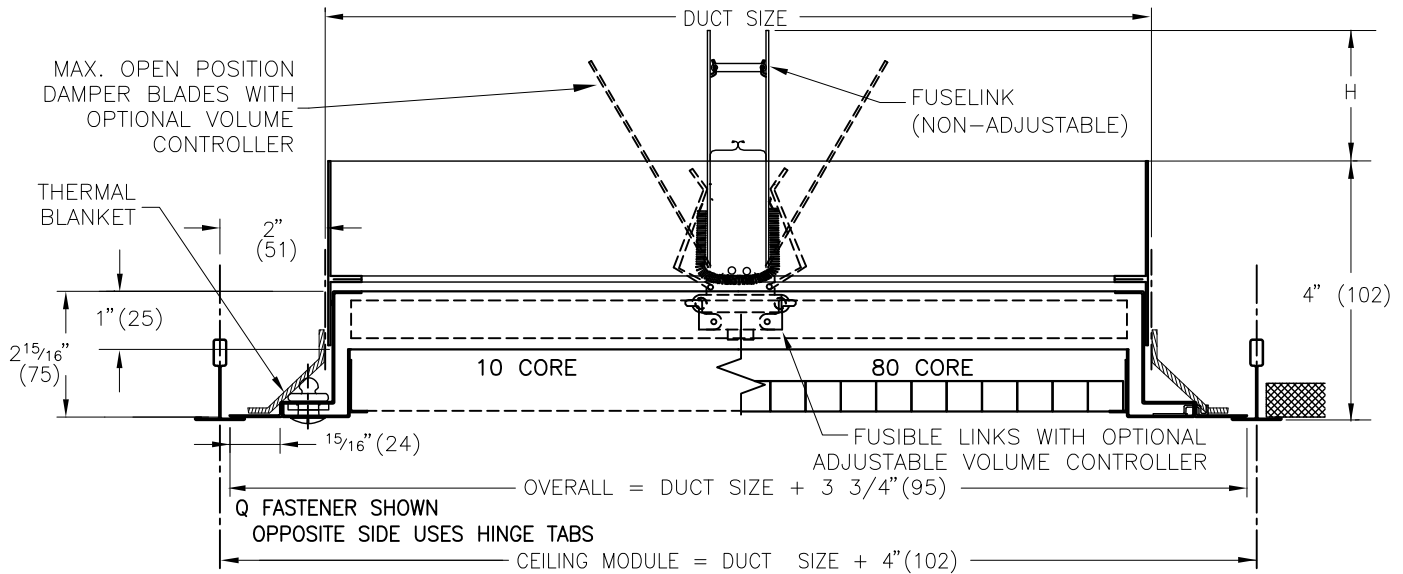


10FF-FR, 80FF-FR STEEL FILTER GRILLES FIRE RATED ASSEMBLY



MATERIAL:

- STEEL CONSTRUCTION (EXCEPT 80FF-FR ALUMINUM CORE)
- CEILING RADIATION DAMPER: BUTTERFLY TYPE.
- THERMAL BLANKET: NON ASBESTOS

FINISHES:

- B12 WHITE (OPTIONAL FINISHES AVAILABLE)

OPTION:

- ADJUSTABLE VOLUME CONTROLLER (ALLEN KEY ADJUSTABLE)
- 165°F (74°C) FUSIBLE LINK (STANDARD)
- 212°F (100°C) FUSIBLE LINK

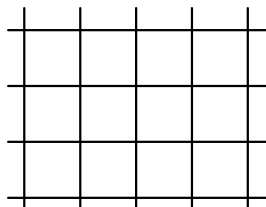
NOTE:

- FIRE RATED 3 HOUR.
- UL CLASSIFIED FIRE RATED CEILING DIFFUSER ASSEMBLY LISTED IN UNDERWRITERS LABORATORIES FIRE RESISTANCE DIRECTORY.
- UL CLASSIFIED FIRE RATED CEILING DIFFUSER ASSEMBLY LISTED IN UNDERWRITERS OF CANADA LABORATORIES LIST OF EQUIPMENT AND MATERIALS.
- MOUNTING HOLES IN FILTER FRAME BY INSTALLER.
- QUARTER TURN FASTENER (Q)/HINGE TAB LOCATION PER FACTORY STANDARD
- THE FILTER FRAME IS DESIGNED TO TAKE A 1" (25) THICK FILTER. FILTERS ARE SUPPLIED BY OTHERS.
- SIZES: MIN. CEILING MODULE 12" X 12" (305 X 305) CEILING MODULE 12" X 24" (305 X 610) MAX. CEILING MODULE 24" X 24" (610 X 610)
- DUCT: STEEL OR FLEXIBLE DUCT CONNECTIONS AS PER FIRE RATED DESIGN REQUIREMENTS.
- INSTALLATION INSTRUCTIONS: SEE SUBMITTAL 228794
- FIRE RATED DIFFUSERS ARE TO BE INSTALLED IN FIRE RATED T-BAR APPLICATIONS ONLY.

MODULE SIZE	DUCT SIZE	H
12 X 12 (305 X 305)	10 X 10 (254 X 254)	4 (102)
24 X 12 (610 X 305)	22 X 10 (559 X 254)	4 (102)
24 X 24 (610 X 610)	22 X 22 (559 X 559)	10 (254)

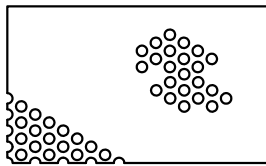
CORE STYLES:

80FF-FR



ALUMINUM CORE
1/2" x 1/2" x 1/2" - (13 X 13 X 13)

10FF-FR



PERFORATED: HOLES ARE
3/16" (5) DIA. X 1/4" (6) O/C - @60° - STAGGERED



ALL METRIC DIMENSIONS () ARE SOFT CONVERTED. IMPERIAL DIMENSIONS ARE CONVERTED TO METRIC AND ROUNDED TO THE NEAREST MILLIMETER.

PROJECT:		PRICE®
ENGINEER:		
CUSTOMER:		228740
SUBMITTAL DATE:	SPEC. SYMBOL:	2015/04/01
		80FF-FR, 10FF-FR FILTER FRAME FIRE RATED ASSEMBLY